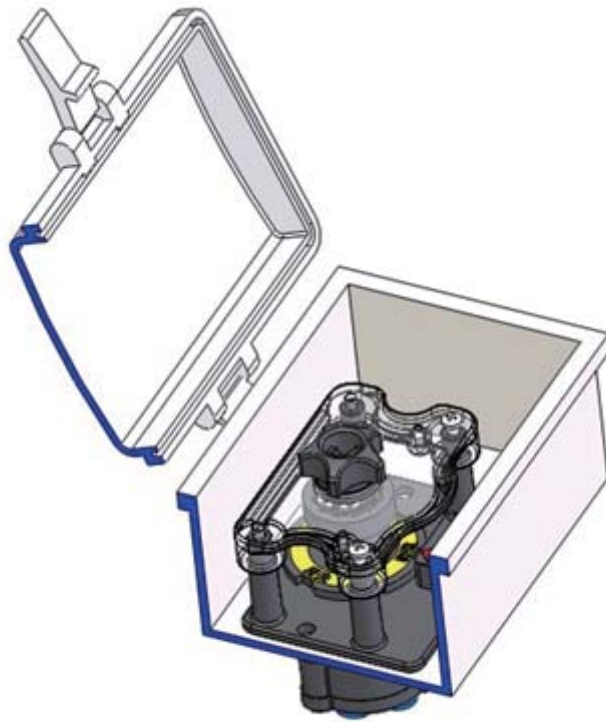




# JKMO Series Manual Controller



BEIJING KANGJIE ZHICHEN WATER TREATMENT CO.,LTD.



## 1. Working Principle & Features

JKMO manual controller is a multi-function controller developed and produced special for multi-valve filtration system, softening system, desalination system etc.

Working principle: As the above drawing, clockwise rotate manually the rotary knob, make the indicating arrow point to every position on the program disk to switch to every status of softening or filtration. Red indicating arrow displays current working status clearly.

Main Features:

- Easy and clear operation, no need complex parameters settings.
- Flexible and adjustable, wide application scope. Available to softening system as well as filtration system.
- No power supply, avoid electrical fault. Specially applied to anti-explosion required projects.
- No limitation on the diameter of the system.
- Applied on standard universal valve.
- Connection with valve by signal pipe.
- Easy maintenance, low failure rate.

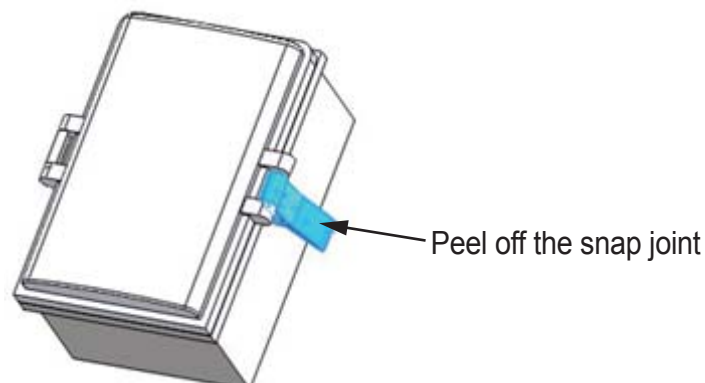
## 2. Working Environment

Working Pressure: 0.2—0.6Mpa

Working Temperature: 5-50°C

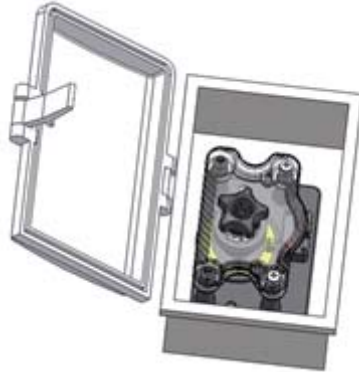
## 3. Operating Instructions

When the equipment requires regeneration or backwash, make sure the equipment work normally, then peel off the snap joint and open the housing of the controller.

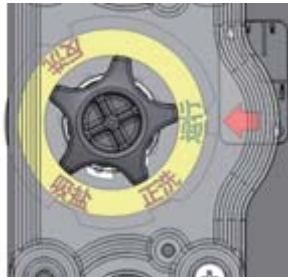




Open the housing of the controller

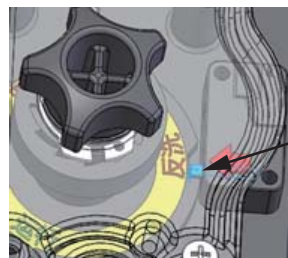


Right now the indicating arrow should point to running position.



Clockwise rotate the rotary knob.

When there is a sound of “pa”, the cut-off cam will fall into the groove of program disk, right now the red arrow is pointing to next process of the program, stop rotating the rotary knob.



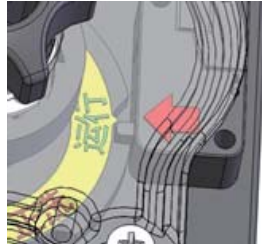
Cut-off cam

When the process is finished (the process duration time is set according to system’s requirement), then clockwise rotate manually the rotary knob to next position of program.

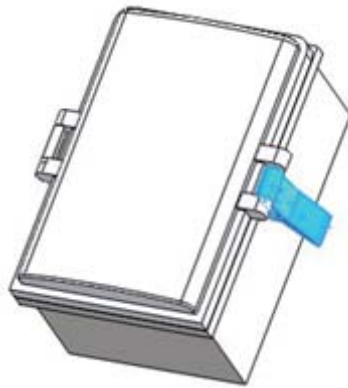




As the above, rotate the rotary knob to achieve processes' switching until switching to the running position, the total backwash or regeneration cycle is finished.



Close the housing of the controller, buckle up the snap joint.



#### 4. Operating Instructions

	Specification and Model No.	Applications	Remarks
1	JKMO501	Single Tank Filter	Rinse
2	JKMO502	Single Tank Co-current Regeneration	
3	JKMO503	Single Tank Filter	
4	JKMO505	Single Tank Counter-current Regeneration	
5	JKMO602	Two Tank or Two Unit filter	Master valve is available
6	JKMO603	Three Tank or Three Unit filter	Master valve is available
7	JKMO604	Four Tank or Four Unit filter	Master valve is available
8	JKMO605	Five Tank or Five Unit filter	Master valve is available



## 4. Operating Instructions

### JKMO 501

NOTCH	POS	Function	Venting	Opened Valve
A	3	Service	1,2	1#,2#
B				
C	1	Backwash	3,4	3#,4#
D				
E				
F	2	Rinse	1,6	1#,6#

### JKMO 502

NOTCH	POS	Function	Venting	Opened Valve
A	4	Service	1,2	1#,2#
B				
C	1	Backwash	3,4	3#,4#
D				
E	2	Brine+Slow Backwash	5,6	5#,6#
F	3	Rinse	1,6	1#,6#

