

NO.	PART NO.	DESCRIPTION	QTY.	MATERIAL
15	5244294	BODY	1	NORYL
14	5244274	DISC PLATE NUT	1	PA6+GF
13	5244204	DISC	1	EPDM
12	5244282	O-RING	1	EPDM *
	5244283			NBR
	5244284			FKM
11	5244207	SHAFT GUIDE	1	ABS
10	5244205	SHAFT	1	ABS
9	5244285	O-RING	1	EPDM *
	5244286			NBR
	5244287			FKM
8	5244279	O-RING	1	EPDM *
	5244280			NBR
	5244281			FKM
7	5244212	LWR DIAPH. PLATE	1	PA6+GF
6	5244210	DIAPHRAGM	1	NBR
5	5244213	UPR DIAPH. PLATE	1	PA6+GF
4	5244288	TAPPING SCREW	1	SS304
3	5244297	CAP	1	NORYL
2	5214187	NUT	12	H62
1	5244289	BOLT	12	SS304

				Y524	JK WATER TREATMENT				
					REVISION		QUANTITY	WEIGHT	SCALE
				03		/	/	/	
				NORYL		SHEET 1 OF 1			
DRAWN BY/DATE		SIGNATURE				UNREMARKED TOLERANCES		/	
CHECKED BY/DATE		DATE				MATERIAL GRADE		/	
APPROVED BY/DATE		DATE				5241003			
STANDARIZED BY/DATE									

技术部
 2016.09.09
 杨亚洲

NONSTANDARD THREAD

NUMBERS	DESCRIPTION OF CHANGES	SIGNATURE	DATE

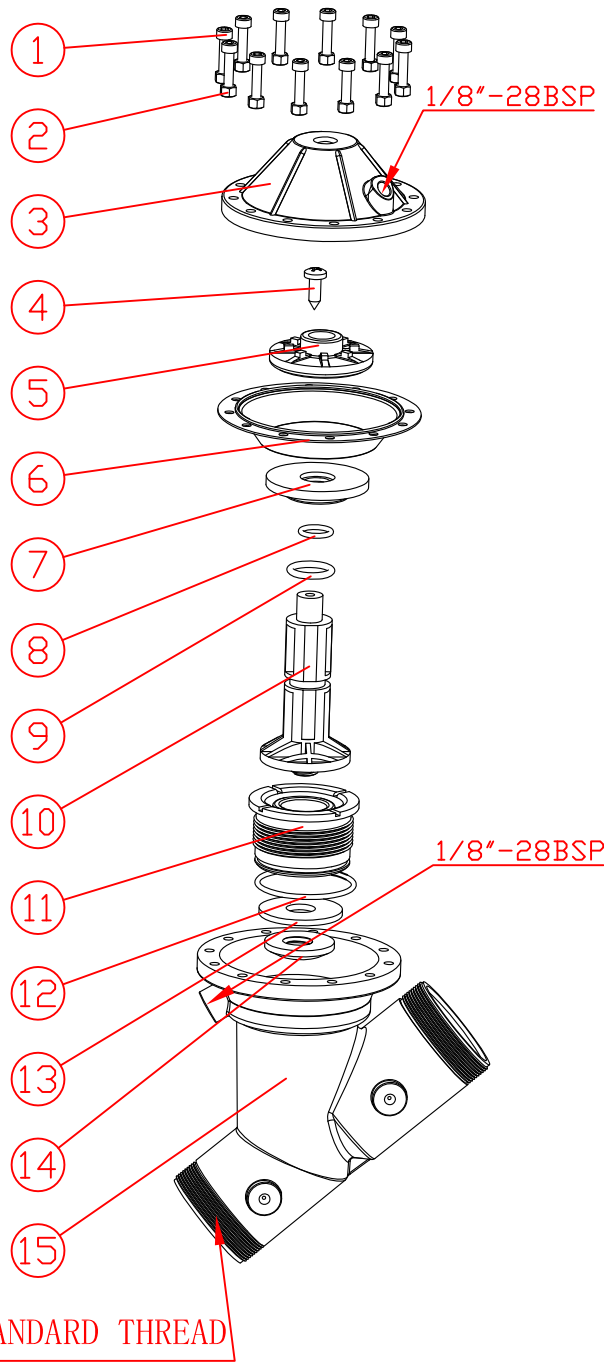
NORYL

5241003

D C

B A

1
2
3
4
5
6



15	5244273	BODY	1	PA6+GF
14	5244274	DISC PLATE NUT	1	PA6+GF
13	5244204	DISC	1	EPDM
12	5244282	O-RING	1	EPDM *
	5244283			NBR
	5244284			FKM
11	5244207	SHAFT GUIDE	1	ABS
10	5244205	SHAFT	1	ABS
9	5244285	O-RING	1	EPDM *
	5244286			NBR
	5244287			FKM
8	5244279	O-RING	1	EPDM *
	5244280			NBR
	5244281			FKM
7	5244212	LWR DIAPH. PLATE	1	PA6+GF
6	5244210	DIAPHRAGM	1	NBR
5	5244213	UPR DIAPH. PLATE	1	PA6+GF
4	5244288	TAPPING SCREW	1	SS304
3	5244278	CAP	1	PA6+GF
2	5214187	NUT	12	H62
1	5244289	BOLT	12	SS304
NO.	PART NO.	DESCRIPTION	QTY.	MATERIAL

NONSTANDARD THREAD

1/8"-28BSP

NUMBERS	DESCRIPTION OF CHANGES	SIGNATURE	DATE
		技术部	2016.09.09
		杨亚洲	
DRAWN BY/DATE			
CHECKED BY/DATE			
APPROVED BY/DATE			
STANDARIZED BY/DATE			

Y524

GLASS FIBRE
REINFORCED NYLON

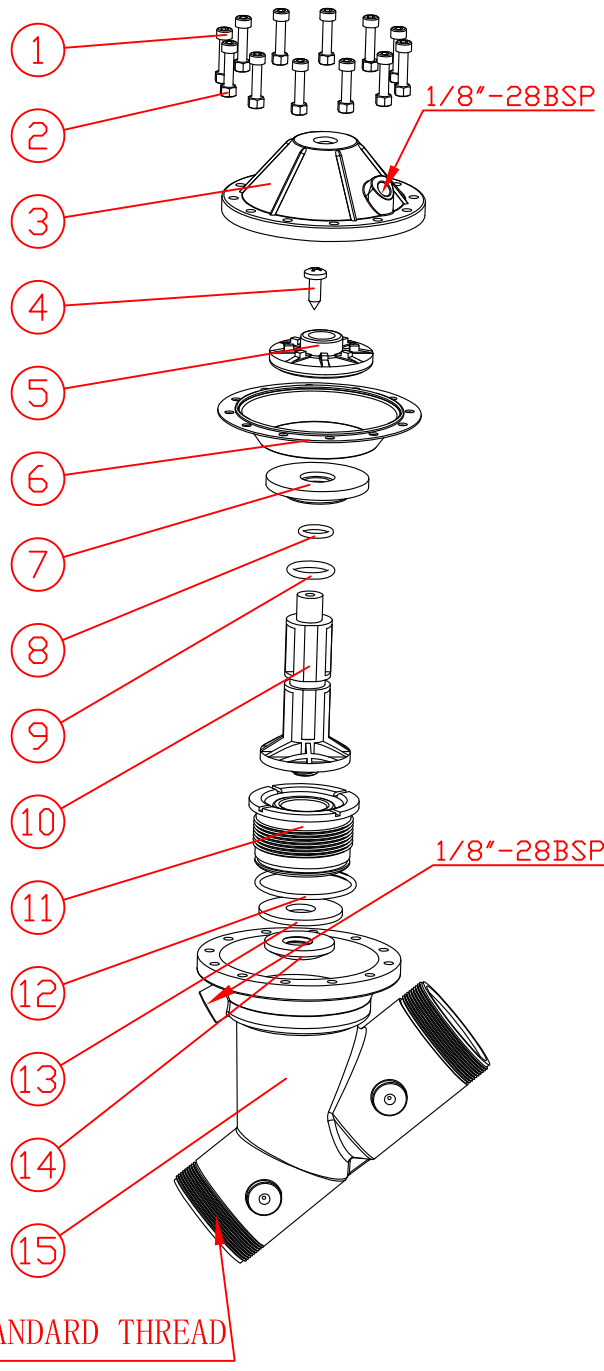
JK WATER TREATMENT			
REVISION	QUANTITY	WEIGHT	SCALE
03	/	/	/
UNREMARKED TOLERANCES	/	SHEET 1 OF 1	
MATERIAL GRADE	/	5241004	

D C B A

D | C

B | A

1
2
3
4
5
6



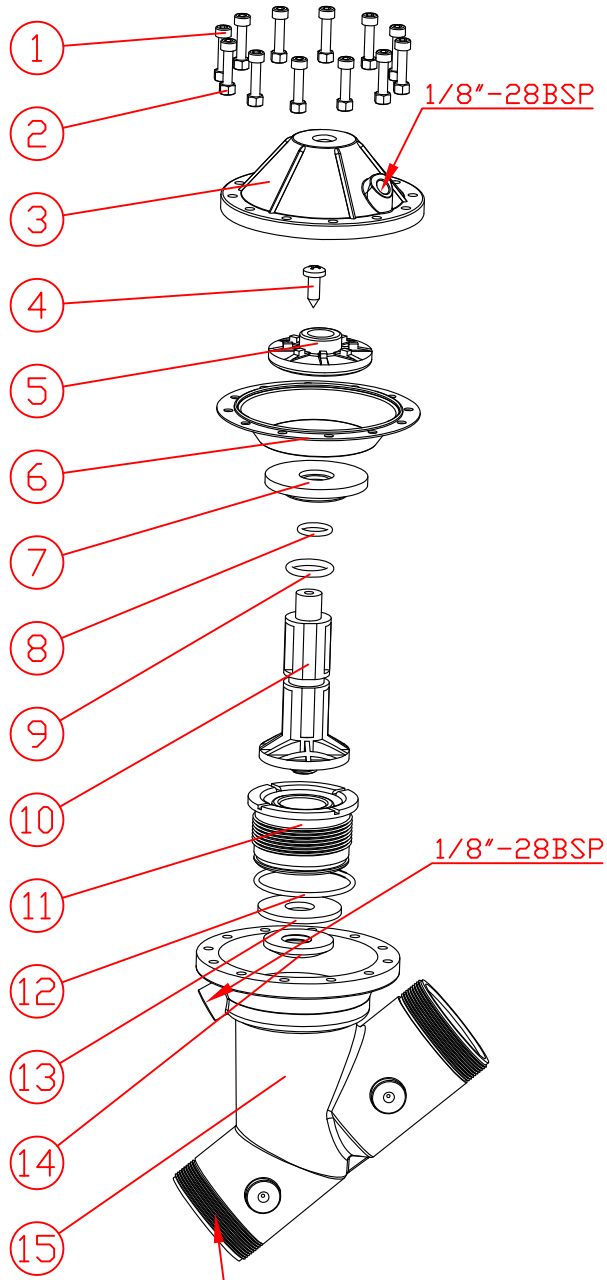
15	5244202	BODY	1	PP+GF
14	5244203	DISC PLATE NUT	1	NORYL
13	5244204	DISC	1	EPDM
12	5244282	O-RING	1	EPDM *
	5244283			NBR
	5244284			FKM
11	5244207	SHAFT GUIDE	1	ABS
10	5244205	SHAFT	1	ABS
9	5244285	O-RING	1	EPDM *
	5244286			NBR
	5244287			FKM
8	5244279	O-RING	1	EPDM *
	5244280			NBR
	5244281			FKM
7	5244212	LWR DIAPH. PLATE	1	PA6+GF
6	5244210	DIAPHRAGM	1	NBR
5	5244213	UPR DIAPH. PLATE	1	PA6+GF
4	5244288	TAPPING SCREW	1	SS304
3	5244215	CAP	1	PP+GF
2	5214187	NUT	12	H62
1	5244289	BOLT	12	SS304
NO.	PART NO.	DESCRIPTION	QTY.	MATERIAL

NONSTANDARD THREAD

				Y524				JK WATER TREATMENT							
								REVISION		QUANTITY	WEIGHT	SCALE			
								03		/	/	/			
				REINFORCED PROPENE POLYMER				UNREMARKED TOLERANCES	/	SHEET 1 OF 1					
									MATERIAL GRADE	/	5241005				
								/							
6	NUMBERS	DESCRIPTION OF CHANGES	SIGNATURE	DATE	D	C	B	A	6	6	6				
			技术部												
			2016.09.09												
			杨业洲												

D | C

B | A



NONSTANDARD THREAD

NO.	PART NO.	DESCRIPTION	QTY.	MATERIAL
15	5244272	BODY	1	NORYL
14	5244274	DISC PLATE NUT	1	PA6+GF
13	5244204	DISC	1	EPDM
12	5244282	O-RING	1	EPDM *
	5244283			NBR
	5244284			FKM
11	5244207	SHAFT GUIDE	1	ABS
10	5244205	SHAFT	1	ABS
9	5244285	O-RING	1	EPDM *
	5244286			NBR
	5244287			FKM
8	5244279	O-RING	1	EPDM *
	5244280			NBR
	5244281			FKM
7	5244212	LWR DIAPH. PLATE	1	PA6+GF
6	5244210	DIAPHRAGM	1	NBR
5	5244213	UPR DIAPH. PLATE	1	PA6+GF
4	5244288	TAPPING SCREW	1	SS304
3	5244277	CAP	1	NORYL
2	5214187	NUT	12	H62
1	5244289	BOLT	12	SS304

				Y524				JK WATER TREATMENT											
								REVISION		QUANTITY	WEIGHT	SCALE							
								03		/	/	/							
6				NORYL				UNREMARKED TOLERANCES		/		SHEET 1 OF 1							
DRAWN BY/DATE												<div style="border: 2px solid red; border-radius: 50%; padding: 10px; display: inline-block;"> 技术部 2016.09.09 杨亚洲 </div>				/		5241006	
CHECKED BY/DATE																			
APPROVED BY/DATE																			
STANDARIZED BY/DATE																			