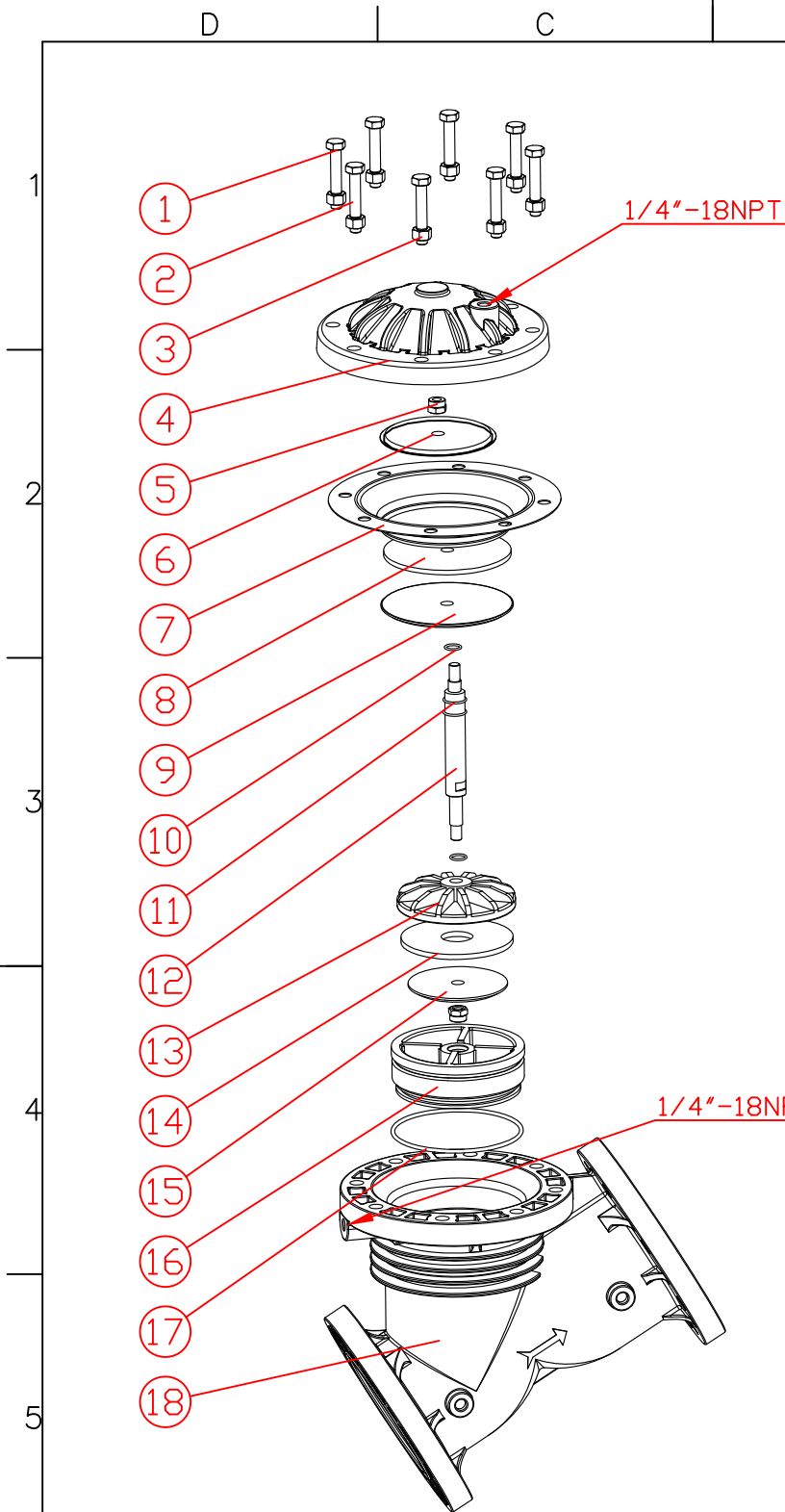


NO.	PART NO.	DESCRIPTION	QTY.	MATERIAL
18	5284488	BODY	1	PA6+GF
17	5284479	O-RING	1	EPDM *
	5284480			NBR
	5284481			FKM
16	5284409	SHAFT GUIDE	1	PA6+GF
15	5284403	PRESSURE PLATE	1	SS304
14	5284404	DISC	1	EPDM
13	5284405	DISC HOLDER	1	PA6+GF
12	5284406	SHAFT	1	SS304
11	5244285	O-RING	2	EPDM *
	5244286			NBR
	5244287			FKM
10	5284476	O-RING	1	EPDM *
	5284477			NBR
	5284478			FKM
9	5284414	LWR DIAPH. PLATE	1	SS304
8	5284420	AUXILIARY DISC	1	EPDM
7	5284411	DIAPHRAGM	1	NBR
6	5284413	UPR DIAPH. PLATE	1	SS304
5	5284483	LOCKNUT	2	SS304
4	5284492	CAP	1	PA6+GF
3	5284484	NUT	8	SS304
2	5284482	BOLT	8	SS304
1	5284485	FLAT GASKET	16	SS304

NOTE: * REPRESENT DEFAULT MATERIAL.

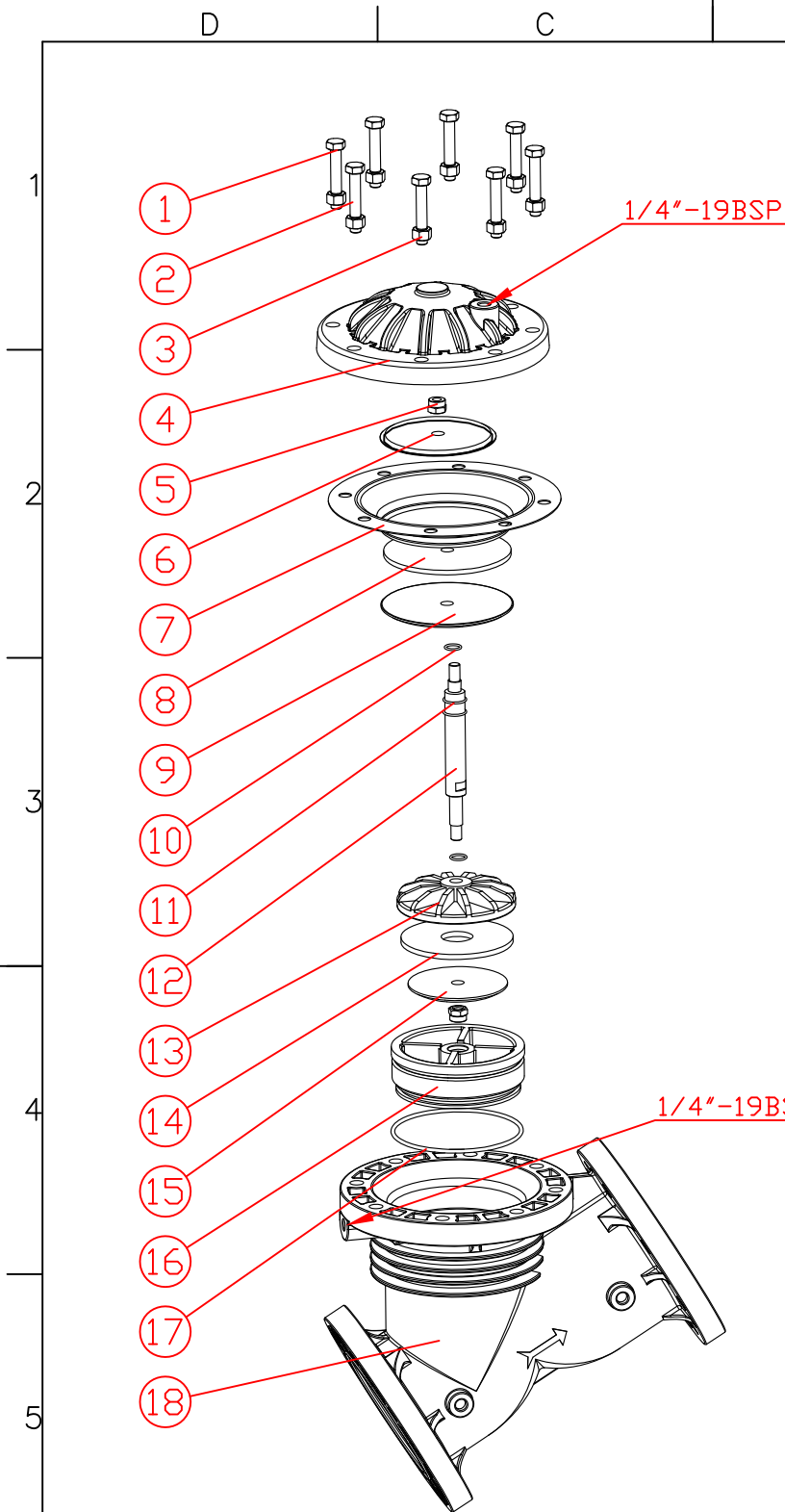
				Y528				JK WATER TREATMENT																			
								REVISION		QUANTITY	WEIGHT	SCALE															
								03		/	/	/															
UNREMARKED TOLERANCES				/				SHEET 1 OF 1																			
MATERIAL GRADE				/				5281001																			
<table border="1"> <thead> <tr> <th>NUMBERS</th> <th>DESCRIPTION OF CHANGES</th> <th>SIGNATURE</th> <th>DATE</th> </tr> </thead> <tbody> <tr> <td></td> <td></td> <td style="text-align: center;">技术部</td> <td></td> </tr> <tr> <td></td> <td></td> <td style="text-align: center;">2016.09.09</td> <td></td> </tr> <tr> <td></td> <td></td> <td style="text-align: center;">杨亚洲</td> <td></td> </tr> </tbody> </table>				NUMBERS	DESCRIPTION OF CHANGES	SIGNATURE	DATE			技术部				2016.09.09				杨亚洲		GLASS FIBRE REINFORCED NYLON							
NUMBERS	DESCRIPTION OF CHANGES	SIGNATURE	DATE																								
		技术部																									
		2016.09.09																									
		杨亚洲																									



NO.	PART NO.	DESCRIPTION	QTY.	MATERIAL
18	5284489	BODY	1	NORYL
17	5284479	O-RING	1	EPDM *
	5284480			NBR
	5284481			FKM
16	5284473	SHAFT GUIDE	1	NORYL
15	5284403	PRESSURE PLATE	1	SS304
14	5284404	DISC	1	EPDM
13	5284405	DISC HOLDER	1	PA6+GF
12	5284406	SHAFT	1	SS304
11	5244285	O-RING	2	EPDM *
	5244286			NBR
	5244287			FKM
10	5284476	O-RING	1	EPDM *
	5284477			NBR
	5284478			FKM
9	5284414	LWR DIAPH. PLATE	1	SS304
8	5284420	AUXILIARY DISC	1	EPDM
7	5284411	DIAPHRAGM	1	NBR
6	5284413	UPR DIAPH. PLATE	1	SS304
5	5284483	LOCKNUT	2	SS304
4	5284493	CAP	1	PA6+GF
3	5284484	NUT	8	SS304
2	5284482	BOLT	8	SS304
1	5284485	FLAT GASKET	16	SS304

NOTE: * REPRESENT DEFAULT MATERIAL.

				JK WATER TREATMENT			
				Y528			
				REVISION	QUANTITY	WEIGHT	SCALE
				03	/	/	/
				UNREMARKED TOLERANCES	SHEET 1 OF 1		
				MATERIAL GRADE	5281002		
				NORYL			
NUMBERS	DESCRIPTION OF CHANGES	SIGNATURE	DATE				
DRAWN BY/DATE		技术部 2016.09.09 杨亚洲					
CHECKED BY/DATE							
APPROVED BY/DATE							
STANDARIZED BY/DATE							

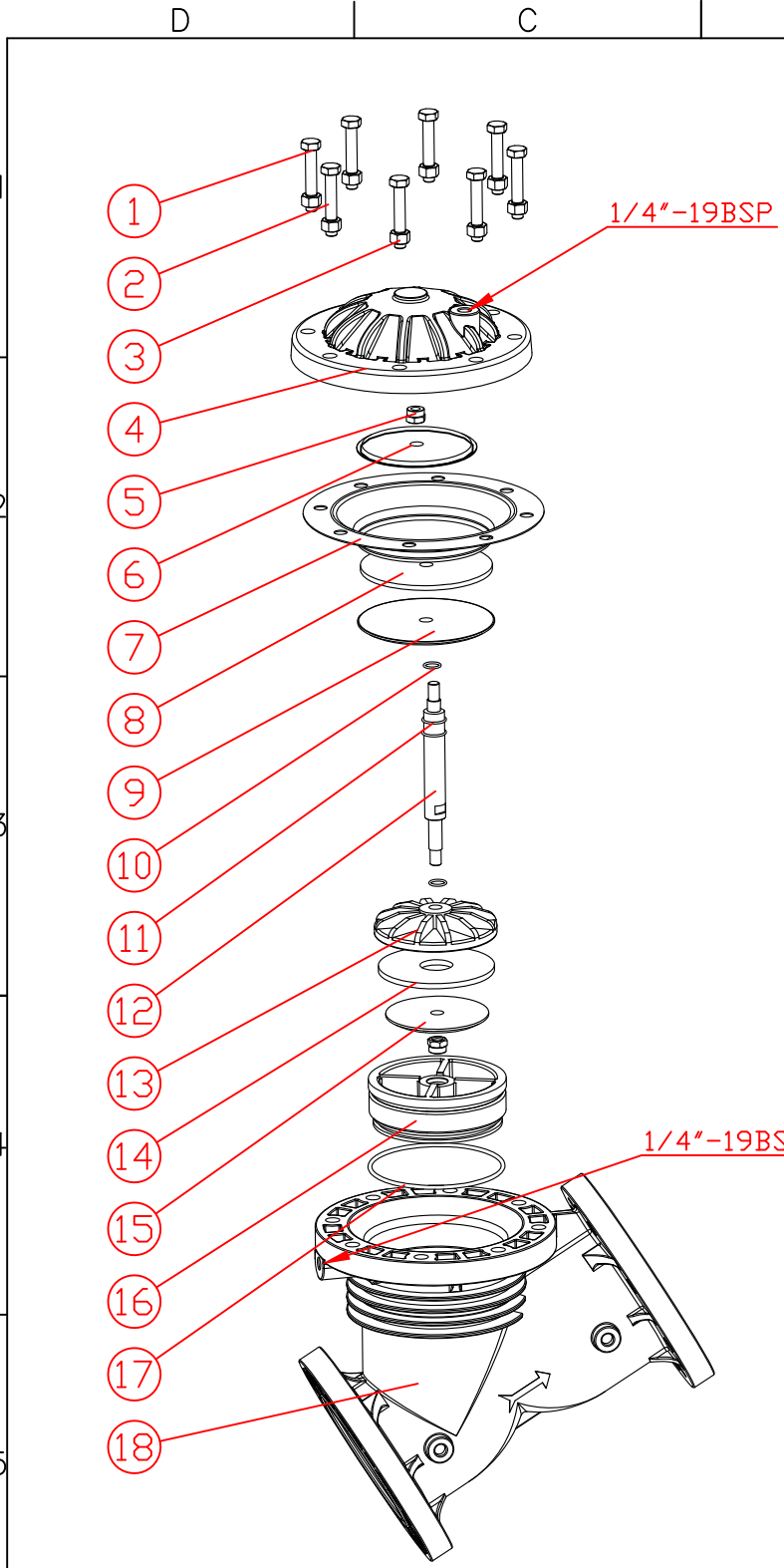


NO.	PART NO.	DESCRIPTION	QTY.	MATERIAL
18	5284402	BODY	1	PA6+GF
17	5284479	O-RING	1	EPDM *
	5284480			NBR
	5284481			FKM
16	5284409	SHAFT GUIDE	1	PA6+GF
15	5284403	PRESSURE PLATE	1	SS304
14	5284404	DISC	1	EPDM
13	5284405	DISC HOLDER	1	PA6+GF
12	5284406	SHAFT	1	SS304
11	5244285	O-RING	2	EPDM *
	5244286			NBR
	5244287			FKM
10	5284476	O-RING	1	EPDM *
	5284477			NBR
	5284478			FKM
9	5284414	LWR DIAPH. PLATE	1	SS304
8	5284420	AUXILIARY DISC	1	EPDM
7	5284411	DIAPHRAGM	1	NBR
6	5284413	UPR DIAPH. PLATE	1	SS304
5	5284483	LOCKNUT	2	SS304
4	5284416	CAP	1	PA6+GF
3	5284484	NUT	8	SS304
2	5284482	BOLT	8	SS304
1	5284485	FLAT GASKET	16	SS304

NOTE: * REPRESENT DEFAULT MATERIAL.

				Y528				JK WATER TREATMENT				
								REVISION		QUANTITY	WEIGHT	SCALE
								03		/	/	/
6	NUMBERS	DESCRIPTION OF CHANGES	SIGNATURE	DATE	GLASS FIBRE REINFORCED NYLON				UNREMARKED TOLERANCES	/	SHEET 1 OF 1	
DRAWN BY/DATE	CHECKED BY/DATE	APPROVED BY/DATE	STANDARIZED BY/DATE	MATERIAL GRADE					/	5281003		
D	C	B	A	/					/			
D	C	B	A	/					/			
D	C	B	A	/					/			

技术部
 2016.09.09
 杨亚洲



NO.	PART NO.	DESCRIPTION	QTY.	MATERIAL
18	5284471	BODY	1	NORYL
17	5284479	O-RING	1	EPDM *
	5284480			NBR
	5284481			FKM
16	5284473	SHAFT GUIDE	1	NORYL
15	5284403	PRESSURE PLATE	1	SS304
14	5284404	DISC	1	EPDM
13	5284405	DISC HOLDER	1	PA6+GF
12	5284406	SHAFT	1	SS304
11	5244285	O-RING	2	EPDM *
	5244286			NBR
	5244287			FKM
10	5284476	O-RING	1	EPDM *
	5284477			NBR
	5284478			FKM
9	5284414	LWR DIAPH. PLATE	1	SS304
8	5284420	AUXILIARY DISC	1	EPDM
7	5284411	DIAPHRAGM	1	NBR
6	5284413	UPR DIAPH. PLATE	1	SS304
5	5284483	LOCKNUT	2	SS304
4	5284475	CAP	1	PA6+GF
3	5284484	NUT	8	SS304
2	5284482	BOLT	8	SS304
1	5284485	FLAT GASKET	16	SS304

NOTE: * REPRESENT DEFAULT MATERIAL.

NUMBERS	DESCRIPTION OF CHANGES	SIGNATURE	DATE
6		技术部	
		2016.09.09	
		杨亚洲	

Y528

NORYL

JK WATER TREATMENT			
REVISION	QUANTITY	WEIGHT	SCALE
03	/	/	/
UNREMARKED TOLERANCES	/	SHEET 1 OF 1	
MATERIAL GRADE	/	5281004	